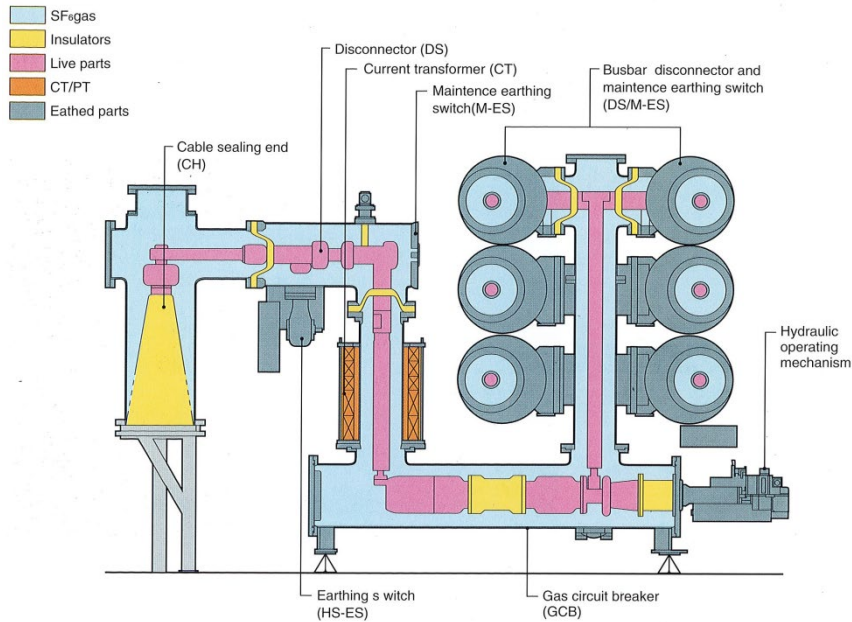
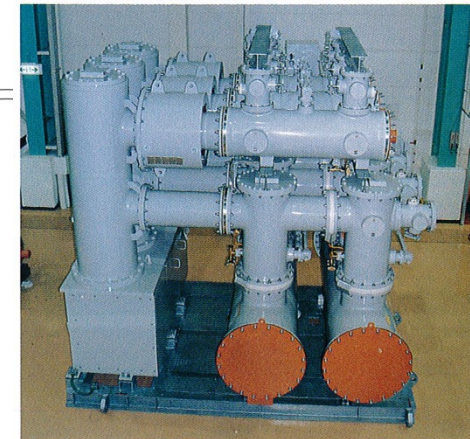
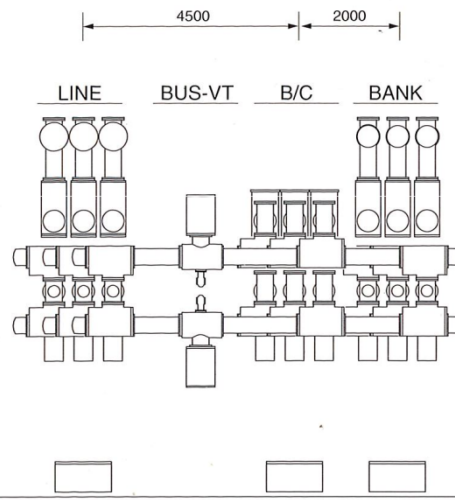


1. ENCLOSURE

1.2 Each phase connect with several segment compartment



Three phases in one modularize easy for installation and maintenance



5. LAY OUT AND SPACE

5.1 Loop system 2-Lines, 1Tie, 2-MOF, 2Feeders

